

DING A LING™

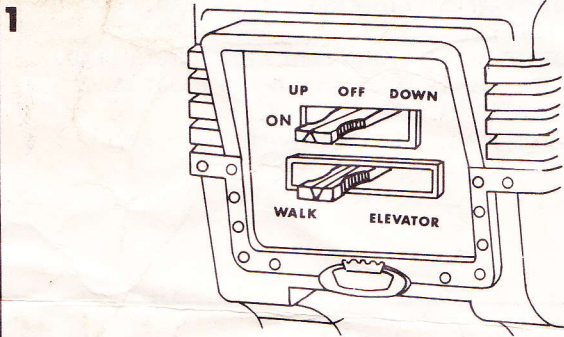
KING DING™

and his BRAIN ROBOT INSTRUCTION SHEET

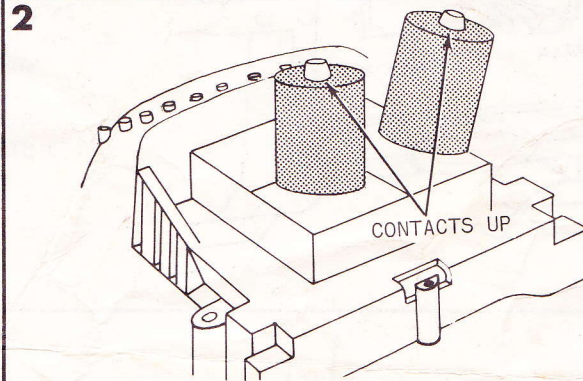
DO NOT THROW THIS SHEET AWAY. USE FOR FUTURE REFERENCE. READ ALL INSTRUCTIONS CAREFULLY.

4 "D" BATTERIES REQUIRED (NOT INCLUDED). FOR LONGER LIFE, USE ALKALINE BATTERIES.

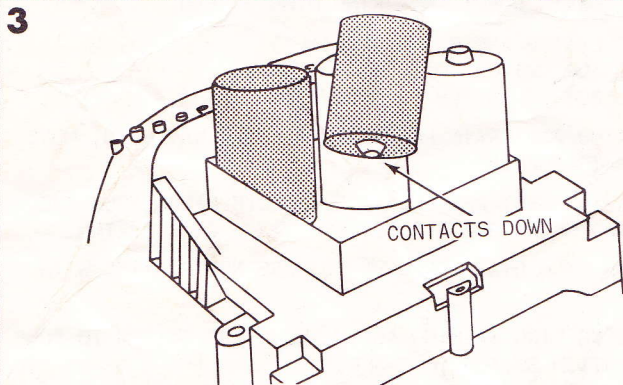
HOW TO INSERT BATTERIES



BE SURE SWITCH ON KING DING'S BACK IS IN "OFF" POSITION. CAREFULLY PUT KING DING ON HIS BACK ON A TABLE. BATTERY HOLDER IS IN KING DING'S CHEST.

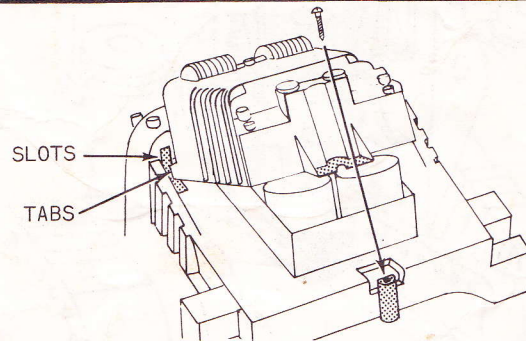


4 "D" BATTERIES ARE REQUIRED (NOT INCLUDED). INSERT 2 "D" BATTERIES WITH CONTACTS UP. EXACTLY AS SHOWN.



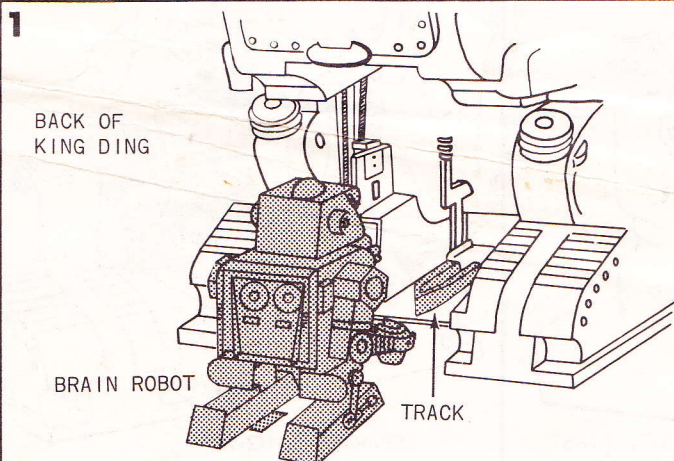
INSERT 2 MORE "D" BATTERIES WITH CONTACTS DOWN, EXACTLY AS SHOWN. **IMPORTANT:** KING DING WILL NOT OPERATE UNLESS BATTERIES ARE INSERTED PROPERLY AND BATTERY COVER IS IN PLACE.

HOW TO PUT ON BATTERY COVER

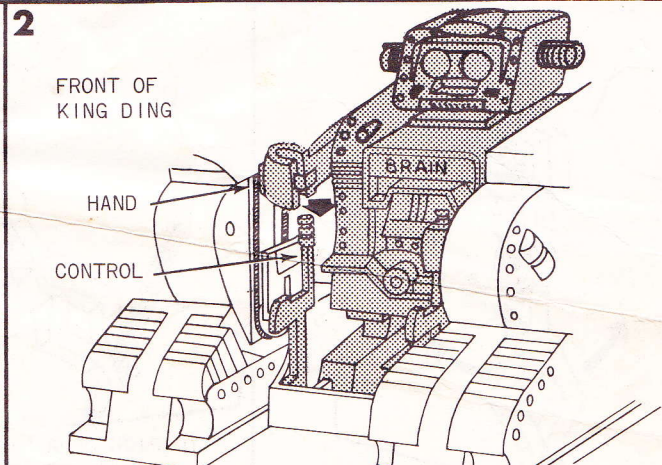


PUT THE 2 TABS ON TOP OF COVER ALL THE WAY INTO SLOTS IN TOP OF BATTERY HOLDER. PRESS COVER DOWN. PUT SCREW INTO HOLE AND SCREW FIRMLY IN PLACE. TO TAKE OFF BATTERY COVER, REMOVE SCREW AND LIFT OFF COVER.

HOW TO OPERATE KING DING



SLIDE BRAIN ROBOT FACE FORWARD ALL THE WAY ONTO TRACK ON ELEVATOR, AS SHOWN.



PUT BOTH HANDS OF BRAIN ROBOT OVER CONTROLS ON ELEVATOR, AS SHOWN. PRESS HANDS DOWN.

